

## COUNTERSUNK WASHER

Designed and made in New Zealand, Tru-Design Countersunk Washers are excellent options where the load of a screw needs to be spread over a larger area.



Tru-Design Countersunk Washers are moulded from a glass reinforced nylon composite. High strength, high-modulus glass fibres impregnated into the nylon provides dramatic strength, stiffness, toughness, and dimensional stability.

Tru-Design Countersunk Washers eliminate the corrosion problems associated with metallic fittings.

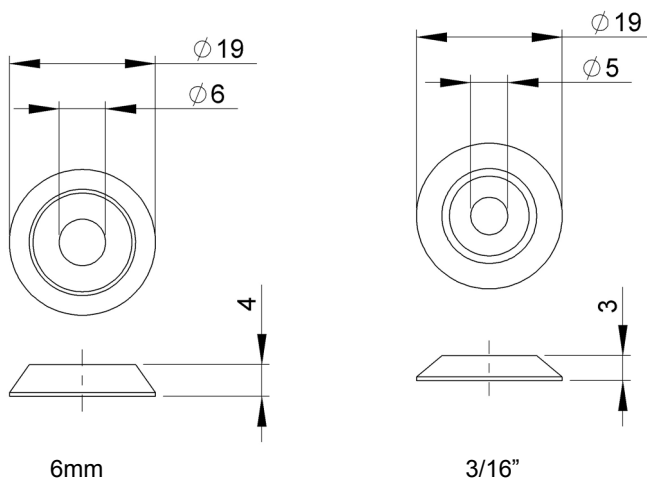
## MODELS

All washers are sold in packs of 20

Part #	Description
90303	Washer Countersunk 6mm x20 White
90302	Washer Countersunk 6mm x20 Black
90269	Washer Countersunk 3/16" x20 White
90270	Washer Countersunk 3/16" x20 Black

## DIMENSIONS

All dimensions in mm.  
All dimensions nominal.



Tru-Design Plastics Ltd. accepts no responsibility for Products which are improperly installed or tampered with. Although the information presented in this product information sheet is believed to be accurate and reliable, no responsibility for inaccuracies can be assumed by Tru-Design Plastics Ltd. This performance data is typical only and variations due to component manufacturing tolerances are normal. Tru-Design Plastics Ltd. reserves the right at any time to change performance characteristics or specifications without prior notice. Tru-Design Plastics Ltd, all rights reserved.