

## T-Piece Connector / Universal Manifold

The TRUDESIGN T-Piece functions not only as a T-Piece but also as an expandable manifold. Featuring two 1½” BSP female threads and one 1½” BSP male thread allowing the T- Piece to be “daisy chained.

The flexibility of the TRUDESIGN T-Piece Connector allows:

Connection of multiple drains to one Ball Valve or Skin Fitting (Thru-Hull) outlet.

Mixed sizes of hose tail (hose barb) fittings to suit ¾”, 1”, 1¼” & 1½” I.D hose

A range of angled hose tail (hose barb) fittings giving directions of straight, 90°, & 120°

Direct connection to a 1½” Ball Valve or 1½” (above waterline) Skin Fitting

Connection to plumbing pipework or a secondary Ball Valve with use of the Threaded Connector



### Part Number & Weight:

Model / Size	Weight	Part Number	Part Number PKG
T-Piece Connector 1½” BSP M-F-F	105 grams / 3.7 oz	90893	90894

### Key Features:

Feature:	
User selectable hose tails	Varying sizes of hose (from ¾” to 1½”) can connect to one T-Piece
Expandable	Create multi-port manifolds easily by joining two or more T-Pieces
Manufactured from a composite UV stabilized, glass-reinforced	High strength, tough and light weight. Can be used in direct sunlight.
Immune to corrosion and electrolysis	Long- life with no concerns over decreased performance due to corrosion
Chemical resistant	Unaffected by diesel, petrol, and chemicals
BSP (Parallel) threads	Universal compatibility to TRUDESIGN® Ball Valves, threaded fittings, and other marine components. Allows 0 - 360° orientations with
Large operating temperature range	Suitable for all marine environments, from -40°C to +110°C

## T Piece Manifold compatible fittings

- Mixed sizes of hose tail fittings can be connected to suit ¾", 1", 1¼" & 1½" I.D hose
- A range of angled hose tail fittings are available giving directions of straight, 90°, & 120°
- Can be "Daisy Chained" creating an economic manifold.



## Compatible Tail Part Numbers

Model / Size	Part Number
T-Piece Connector 1½" BSP M-F-F	90894
Aquavalue Tail 38mm (1½") 1½" BSP Black	90545
Aquavalue Tail 32mm (1¼") 1½" BSP Black	90544
Aquavalue Tail 25mm (1") 1½" BSP Black	90543
Aquavalue Tail 19mm (¾") 1½" BSP Black	90542
Aquavalue 90° 38mm (1½") 1½" BSP Black	90293
Aquavalue 90° 25mm (1") 1½" BSP Black	90466
Aquavalue 120° 38mm (1½") 1½" BSP Black	90297
Aquavalue 120° 25mm (1") 1½" BSP Black	90465
Tail 38mm (1½") 1½" BSP Long Thread	90561
Tail 32mm (1¼") 1½" BSP Long Thread	90563
Tail 38mm (1½") 1½" BSP Long Thread 90°	90569
Tail 38mm (1½") 1½" BSP Long Thread 120°	90573
Tail 38mm (1½") 1½" BSP Female 90° Bend	90635
Plug 1½" BSP Black	90919

## Connecting Two or More T Pieces together



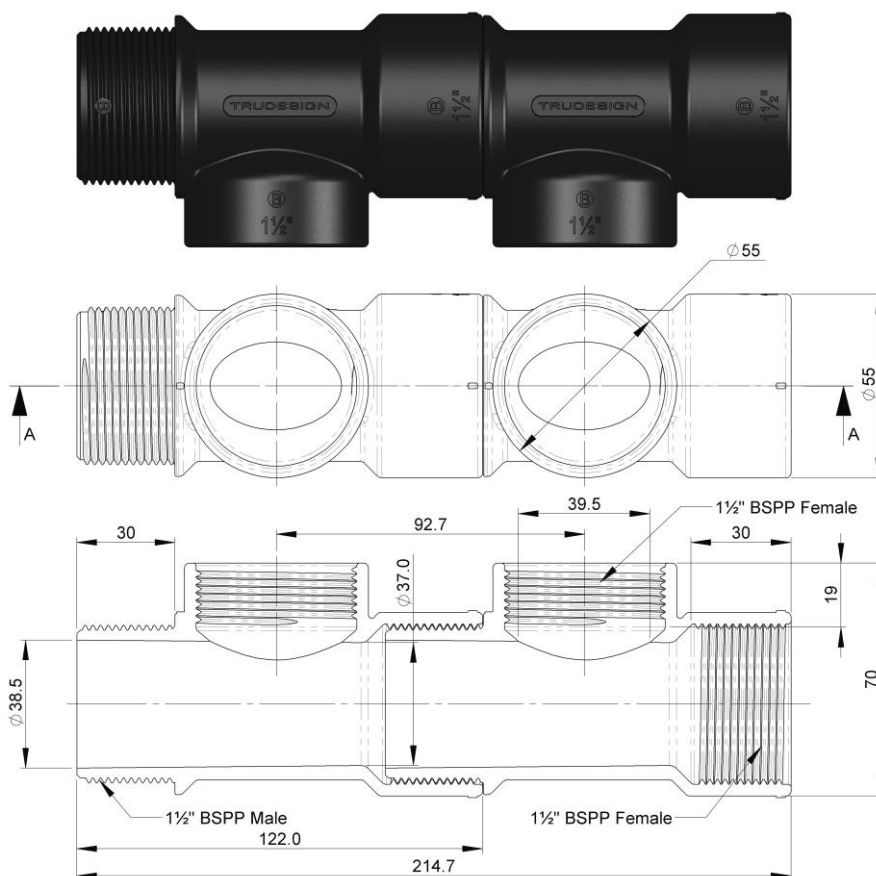
Align the two location notches. There is no need to tighten fully. When adhesive type thread sealant is used, fittings need only be "finger tight" as the sealant will provide full waterproofness and structure once cured. This allows the two fittings to align.

### THREAD SEALING: Ball Valve to Skin Fitting and Tails (Thru Hull)

For Thread Sealing Instruction go to our Technical Information Sheet on the TruDesign Website – Scan QR Code



### Dimensions: Dimensions are in millimeters -All dimensions nominal



The information contained in this information sheet is for general information purposes only. The information is provided by TruDesign and while we endeavor to keep the information up to date and correct, we make no representations or warranties of any kind, express or implied, about the completeness, accuracy, reliability, suitability or availability. Any reliance you place on such information is therefore strictly at your own risk.

